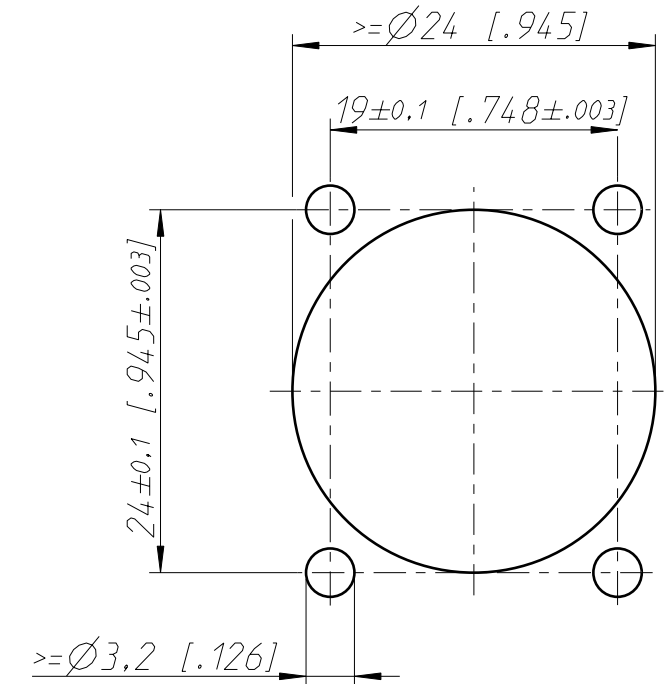


Frontplattenausschnitt (Rückseite)  
panel cut out (rear side)



General tolerances ISO 2768-m		Scale	Date	Name
Refer to protection notice ISO 16016.		3:2 (A3)	07.01.14	Ender
Name		Drawn	Modified	Ender
NE8FDX-Y6-W		-	23.08.17	-
NE8FDX-Y6-W		Change-No.	Sheet-No.	Index
		-	1 / 1	A
Replacement for:		Drawing-No.		
NEUTRIK		ST-NE8FDX-Y6-W		